

27. Access Key

A: REMOVAL

NOTE:

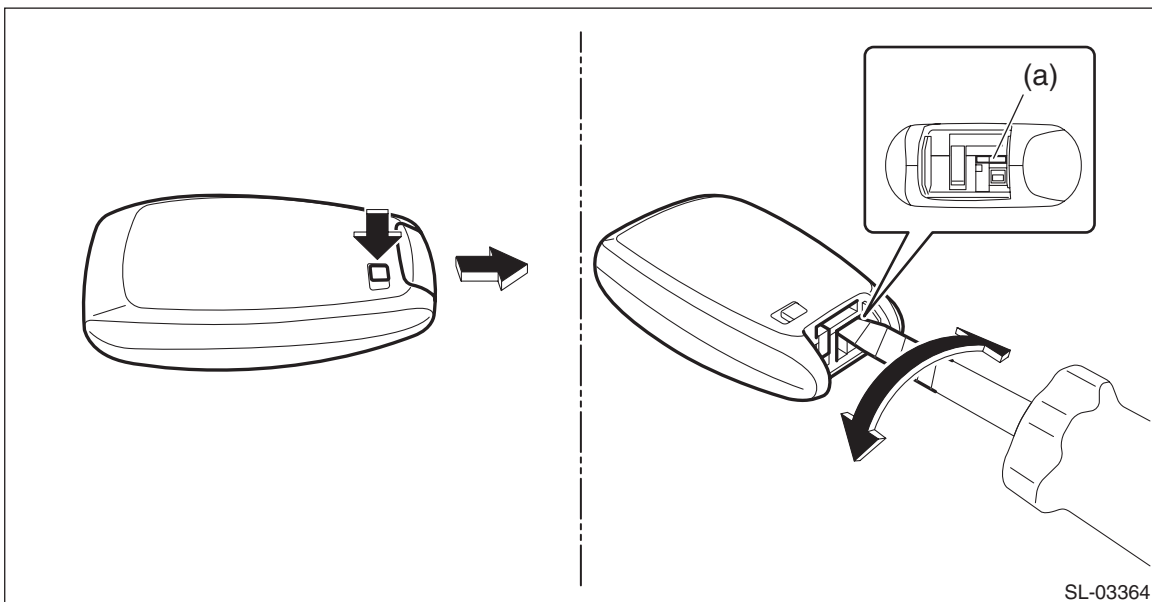
Refer to keyless transmitter for model without keyless access. <Ref. to SL-90, KEYLESS TRANSMITTER BATTERY, REMOVAL, Keyless Transmitter.>

1. ACCESS KEY BATTERY

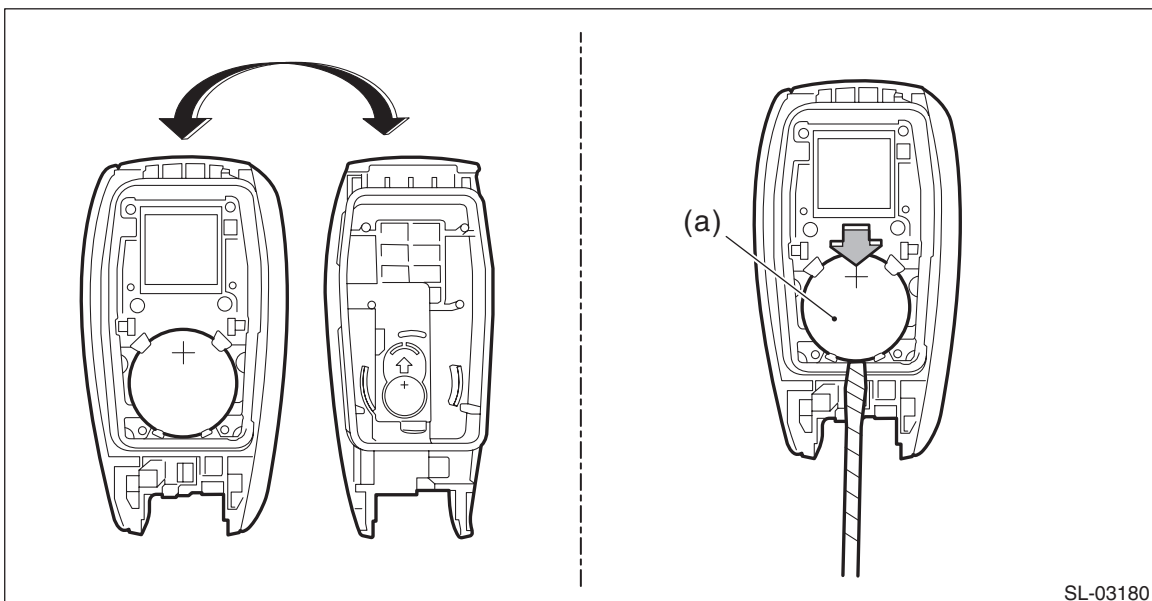
CAUTION:

To prevent static electricity damage to the access key printed circuit board, touch the steel area of building with hand to discharge static electricity carried on body or clothes before disassembling the access key.

- 1) Push the lock button and remove the mechanical key from the access key.
- 2) Insert the tip of a flat tip screwdriver wrapped with insulation tape into the slit (a) of the access key to open the case.



- 3) Remove the battery (a) from the case.



B: INSTALLATION

1. ACCESS KEY BATTERY

Install each part in the reverse order of removal.

C: INSPECTION

1. ACCESS KEY BATTERY

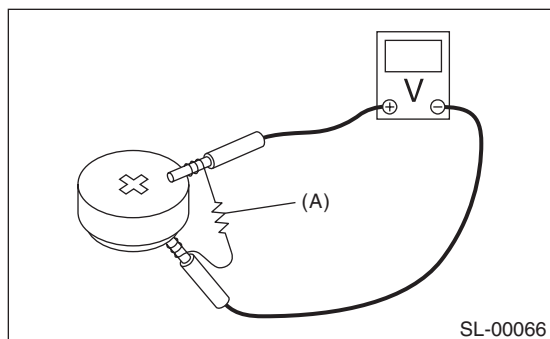
Check the access key battery voltage.

Preparation tool:

Circuit tester

NOTE:

Complete the measurement within 5 seconds because the battery discharges during measurement.



Battery terminal	Inspection conditions	Standard
(+) — (-)	Connect resistor (A) 47 Ω	2.5 — 3.0 V

Replace the battery if the inspection result is not within the standard value. (Use CR2032 V or equivalent.)

D: REPLACEMENT

1. ACCESS KEY REGISTRATION

NOTE:

- A maximum of seven access keys can be registered for each individual vehicle.
- When replacing or adding an access key, new registration of the access key is necessary.
- When the access key has been newly added, it is registered to the immobilizer system at the same time.

2. CLEARING ACCESS KEY REGISTRATION

Refer to the “REGISTRATION MANUAL FOR IMMOBILIZER” for clearing access key registration.